

**TEAC**®

## AM/FM PLL DIGITAL STEREO TUNER



**AM/FM PLL SYNTHESIZED**

**Programmable Digital Tuner with Clock and Timer**

**Rack Mounting Rack Kit PRM670**

### General Information

- AM and FM Digital Frequency Display
- PLL Quartz Synthesized Tuning System
- 30 AM and 30 FM Station Memory Presets
- Automatic Station Memory Presetting
- Up/Down Station Memory Scan Function
- Digital Clock Display on Standby
- Programmable "Daily" Automatic Turn-On/Off Preset
- Programmable Automatic Shut-Off (Sleep)
- Direct Tuning Keyboard
- High Luminosity Digital Fluorescent Display
- Automatic Memory Presetting
- Rack Mounting with Optional Rack Kit (2U)
- Environmental Music Systems
- Commercial AM/FM Music Systems
- Broadcast Quality Performance
- AM/FM Monitoring Systems

### Specifications

#### FM TUNER SECTION

**Tuning Range:** 87.5-108 Mhz (100 KHz steps)  
**Usable Sensitivity:** (IHF) Mono=11.2 dbf  
**50db Quieting Sensitivity:** Stereo=38 dbf, Mono=15 dbf  
 FM - 1.5 microvolts  
 AM - 2.0 microvolts

#### Selectivity:

70 db

**Frequency Response:** 20 Hz - 15 KHz, +0.5db/-3 db  
**Capture Ratio:** 1.0 db

**Readout/selection:** Digital

**Distortion:** At 65 dbf, 98 Mhz:  
 Mono=0.1% - Stereo=0.3%

**Signal to Noise Ratio:** At 65 dbf, 1 KHz:  
 Mono=72 db - Stereo=65 db

**AM Suppression Ratio:** 55 db

**Stereo Separation:** 40 db at 1 KHz

**Tuning:** PLL Phase Locked Loop

**Output Level:** 800 Mv at 2.2 K ohm

#### AM TUNER SECTION

**Tuning Range:** 530 - 1720 KHz, 10 KHz steps

**Usable Sensitivity:** 55 db/m (562 μV/m, Loop Ant)

**Selectivity:** 55 db at ± 9 KHz

**Distortion:** Mono= 0.2%, Stereo= 0.4%

**Image Response Ratio:** 35 db

**IF Response Ratio:** 60 db

**Distortion:** 1% at 85 db/m

**Signal to Noise Ratio:** 40 db at 85 db/m

**Output Level:** 170 mV at 2.2 K ohm

#### GENERAL

**Antenna Impedance:** 75 and 300 ohm

**Power Requirement:** 110-125 VAC-60 Hz, 8 Watt

**Dimensions:** 17 1/8" W., 3 1/2" H., 10.7" D.  
 (435 x 102 x 270 mm)

**Finish:** Matte Black

**Net Weight:** 8 Lb (3.6 Kg)

**Infrared Remote:** Included Model RC 789

**ACCESSORIES** Optional

**Rack Mounting:** Paso Model PRM670 Rack kit

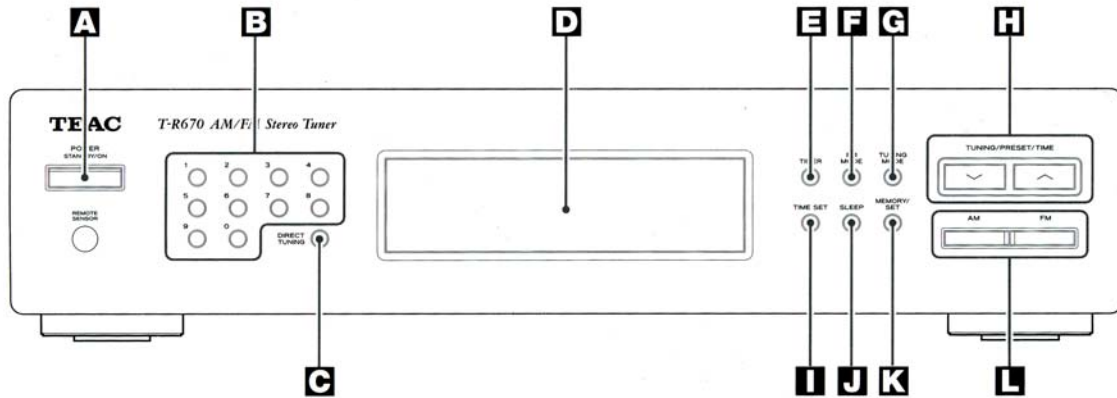
**PTR670**

**PTR 670**

**REV 1.0**

**Form NT 246**

*Innovation through technology since 1931*

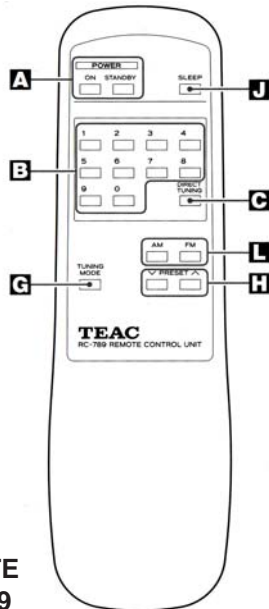


Front Panel Controls

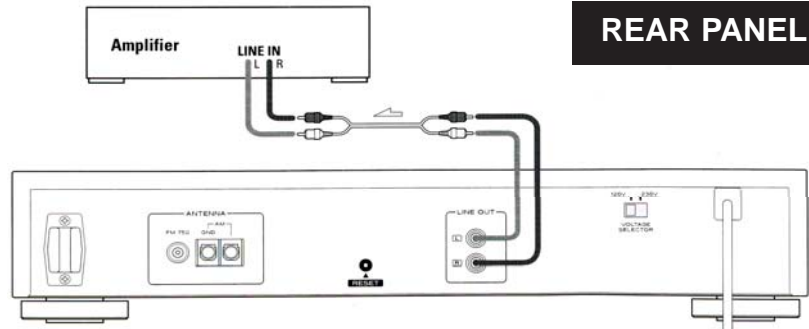
- A) Power (STANDBY/ON) Switch
- B) Numeric Buttons Keypad
- C) Direct Tuning Button
- D) DISPLAY
- E) TIMER Button
- F) FM MODE Button
- G) TUNING MODE Button
- H) Tuning/Preset/Time Buttons
- I) TIME SET Button
- J) SLEEP Button
- K) MEMORY/SET Button
- L) AM/FM Select Button

The PTR670 is a sophisticated, High Quality, AM/FM Digital Tuner with unique features and outstanding performance. In addition to the fully synthesized PLL Digital Tuning System the PTR670 is controlled by a microprocessor with a memory/file system and a clock/calendar allowing for many programmable functions:

- Clock (Hour and Minutes) are displayed in standby mode.
- Manual or Automatic Station Presetting. Up to 30 AM and 30 FM Stations can be memorized.
- MEMORY - Automatically presets Strongest Station available.
- SLEEP - Programmable Function with Automatic Turn-off in 10 minute steps.
- DAILY - Programmable Function with Daily Automatic Turn-on and Turn-off Time Presetting.
- MOST RECENT - Automatically returns to the last tuned station when turned back on.
- PRESETS RECALL - Scans through each memorized station presetting for 5 seconds.
- FM MODE - Manual Selection of Mono or Stereo listening when receiving an FM station.
- RACK MOUNTING - Rack Mountable with Rack Kit. Two units of Rack space (3.5").



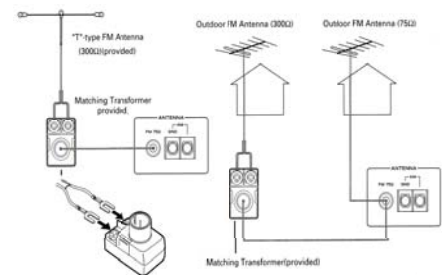
REMOTE RC 789



INTERNAL

EXTERNAL

ANTENNA CONFIGURATION



AUTHORIZED DISTRIBUTOR



since 1931

PASO SOUND PRODUCTS, INC.  
 4750F GOER DRIVE  
 CHARLESTON, SOUTH CAROLINA 29406-6511 USA  
 Phone: 843 308 9005 - Fax: 843 308 0904  
 EMAIL: info@pasosound.com - URL: www.pasosound.com