

TEAC

100 Watt AM/FM Stereo Digital Receiver



**AM - FM
STEREO Receiver
Fluorescent
Display
PLL Precision
Synthesized
Tuning**

**Rack Mount Kit
Model PRM 2100**

General Information

- ❑ **PLL Quartz Synthesized Tuning System**
- ❑ **AM - FM STEREO and Mono**
- ❑ **5-Inputs: Tuner - CD - Tape Phono - Aux**
- ❑ **Tape Monitor Output**
- ❑ **30 Station Presets**
- ❑ **Stereo/Mono Switch on FM**
- ❑ **• Multi Color Fluorescent Digital Display**
- ❑ **VCR Audio Input**
- ❑ **Front Panel Headphone Output**
- ❑ **Digital JOG Control for: Volume, Bass, Treble, Balance**
- ❑ **SLEEP Timer Function**
- ❑ **MUTING Function on Remote**
- ❑ **A + B Speaker Switches**
- ❑ **Loudness Contour Button**
- ❑ **Multifunction Remote Control**
- ❑ **Environmental Music Systems**
- ❑ **Background Music Systems**
- ❑ **Foreground Music Systems**

Specifications

AMPLIFIER SECTION

Power Output: 50 Watt RMS per Channel (Total 100 Watts)

T.H.D.: 0.05%

Frequency Response: 20 - 30,000 Hz \pm 3 db

Signal to Noise Ratio: PHONO: 70 db (IHF-A)
LINE: 90 db (IHF-A)

JOG Control: Volume, Bass, Treble, Balance

Inputs Sensitivity/Z: PHONO: 5 mV
Impedance: 22 K ohm
CD, VIDEO, AUX, TAPE: 220 mV
Impedance: 2 K ohm
Loudness, FM Stereo/Mono

Headphones Output: 8 ohm

Color Finish: Matte' Black

FM SECTION

FM Tuning Range: 87.5 - 108.0 Mhz

Tuning System: Precision PLL Quartz Synthesized

FM Usable Sensitivity IHF: Mono 15 dbf

50 db Quieting Sensitivity: MONO: 23 dbf, STEREO: 40 dbf

Capture Ratio: 2.0 db

Stereo Separation (1 KHz): 40 db

THD: MONO: 0.4%, STEREO: 0.5%

AM SECTION

Tuning Range: 520 - 1720 Khz (10 Khz Steps)

THD: 1.5% at 85 db/m

Signal to Noise Ratio: 35 db at 85 db/m

Power Requirement: 120 VAC 50-60 Hz

Power Consumption: 2.5 A

Dimensions: 17 1/8" W., 5 1/4" H., 12.2" D.
(435 x 130 x 310 mm)

Net Weight: 22 Lb. (9.6 Kg)

Optional Accesories

Rack Mounting: Model PRM2100 Rack Kit (3U)

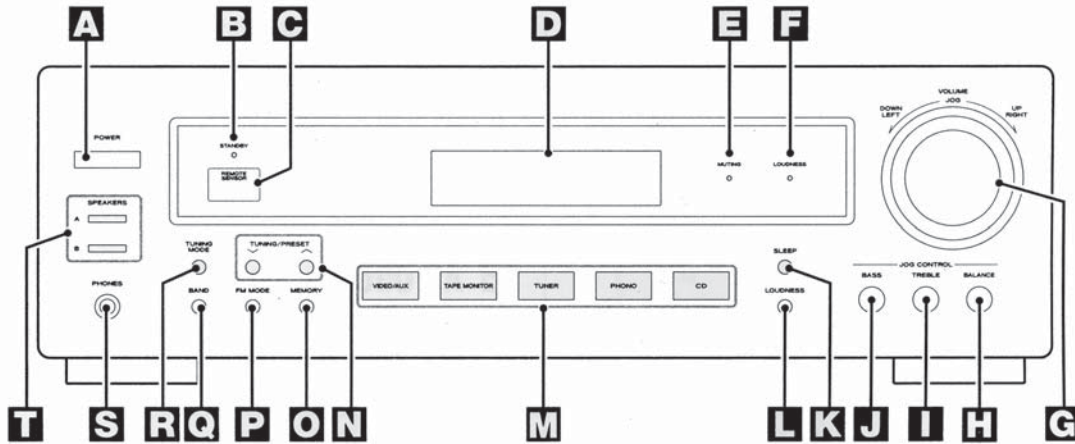
PAG790

PAG790

REV 1.0

Form NT 239

Engineering leadership in sound products since 1931

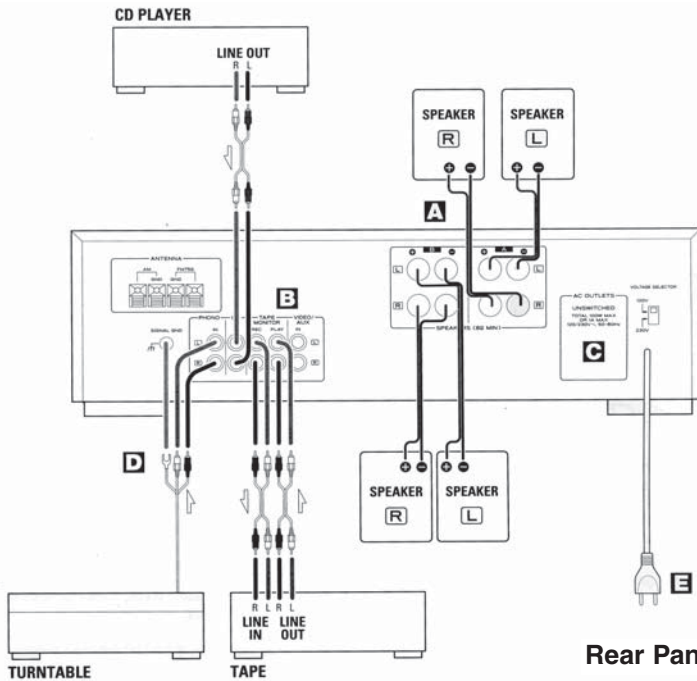


Front Panel Controls

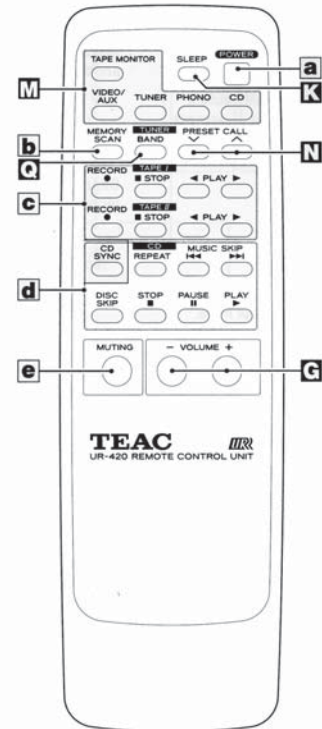
- A POWER Switch
- B STANDBY Indicator
- C REMOTE Sensor
- D DISPLAY
- E MUTING Indicator
- F LOUDNESS Indicator
- G VOLUME/JOG
- H BALANCE Control
- I TREBLE Button
- J BASS Button
- K SLEEP Button
- L LOUDNESS Button
- M INPUT Selectors CD, PHONO, TUNER, TAPE MONITOR, VIDEO/AUX
- N TUNING/PRESET Button
- O MEMORY Button
- P FM MODE Button
- Q BAND Button
- R TUNING MODE Button
- S PHONES Jack
- T SPEAKERS Button,

Remote Control UR-420

- a POWER standby/on Button
- b MEMORY SCAN Button
- c TAPE Operation Button
- d CD Operation Button
- e MUTING Button



Rear Panel View



since 1931

AUTHORIZED DISTRIBUTOR

PASO SOUND PRODUCTS, INC.
 4750F GOER DRIVE
 CHARLESTON, SOUTH CAROLINA 29406-6511 USA
 Phone: 843 308 9005 - Fax: 843 308 0904
 EMAIL: info@pasosound.com - URL: www.pasosound.com

FORM NT 239 RV 1.0 Printed in USA